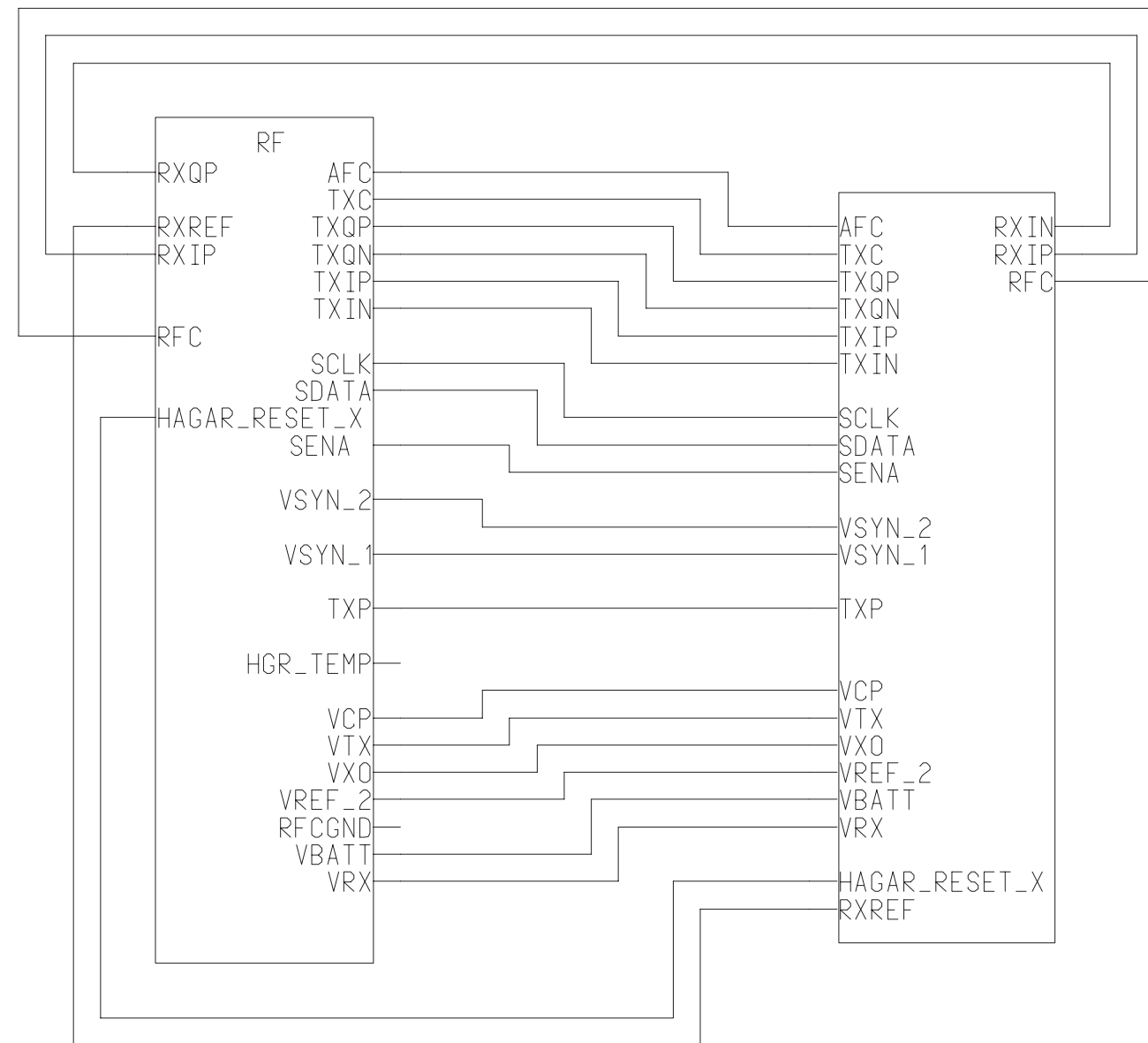
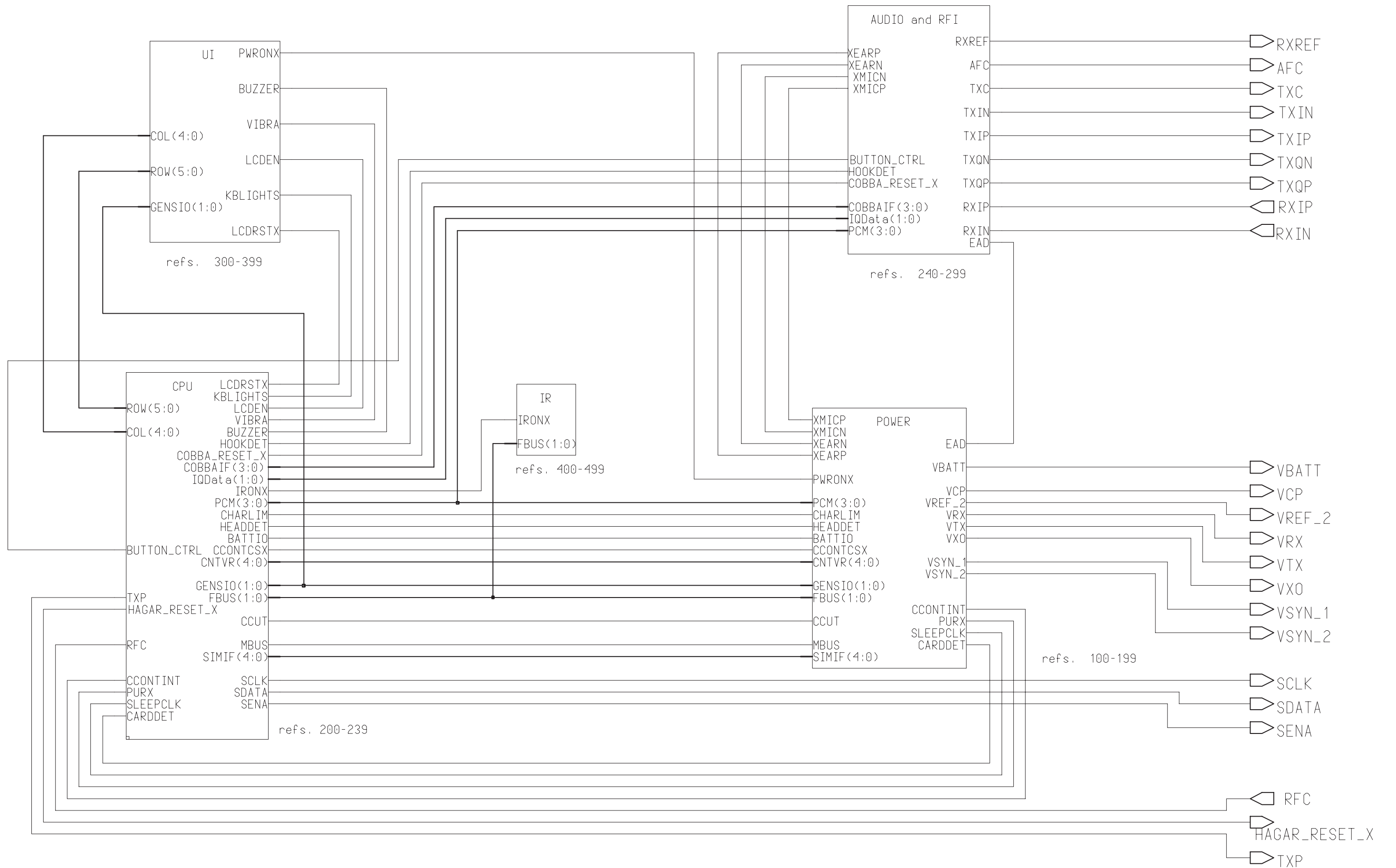


RF

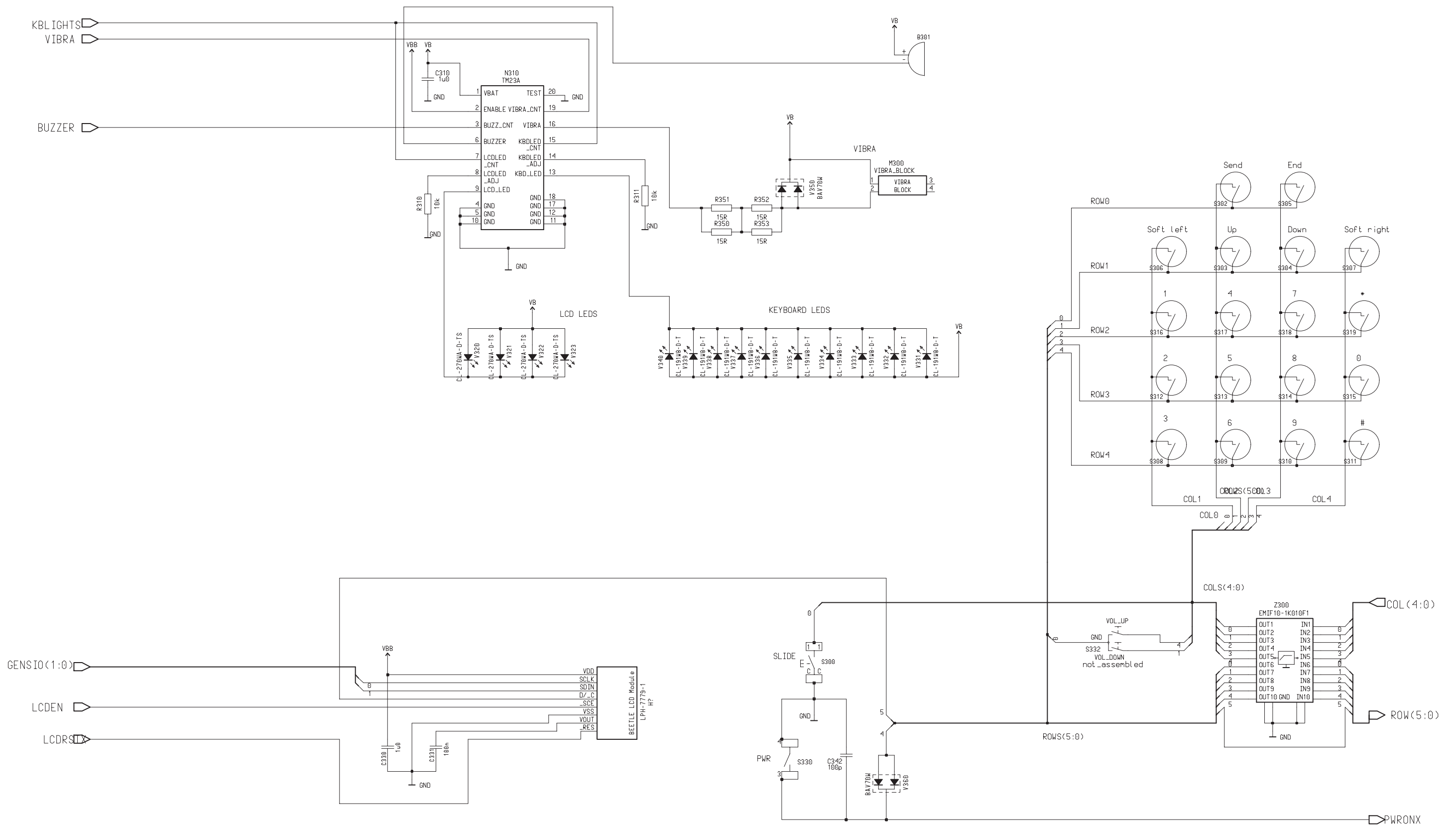
BASEBAND



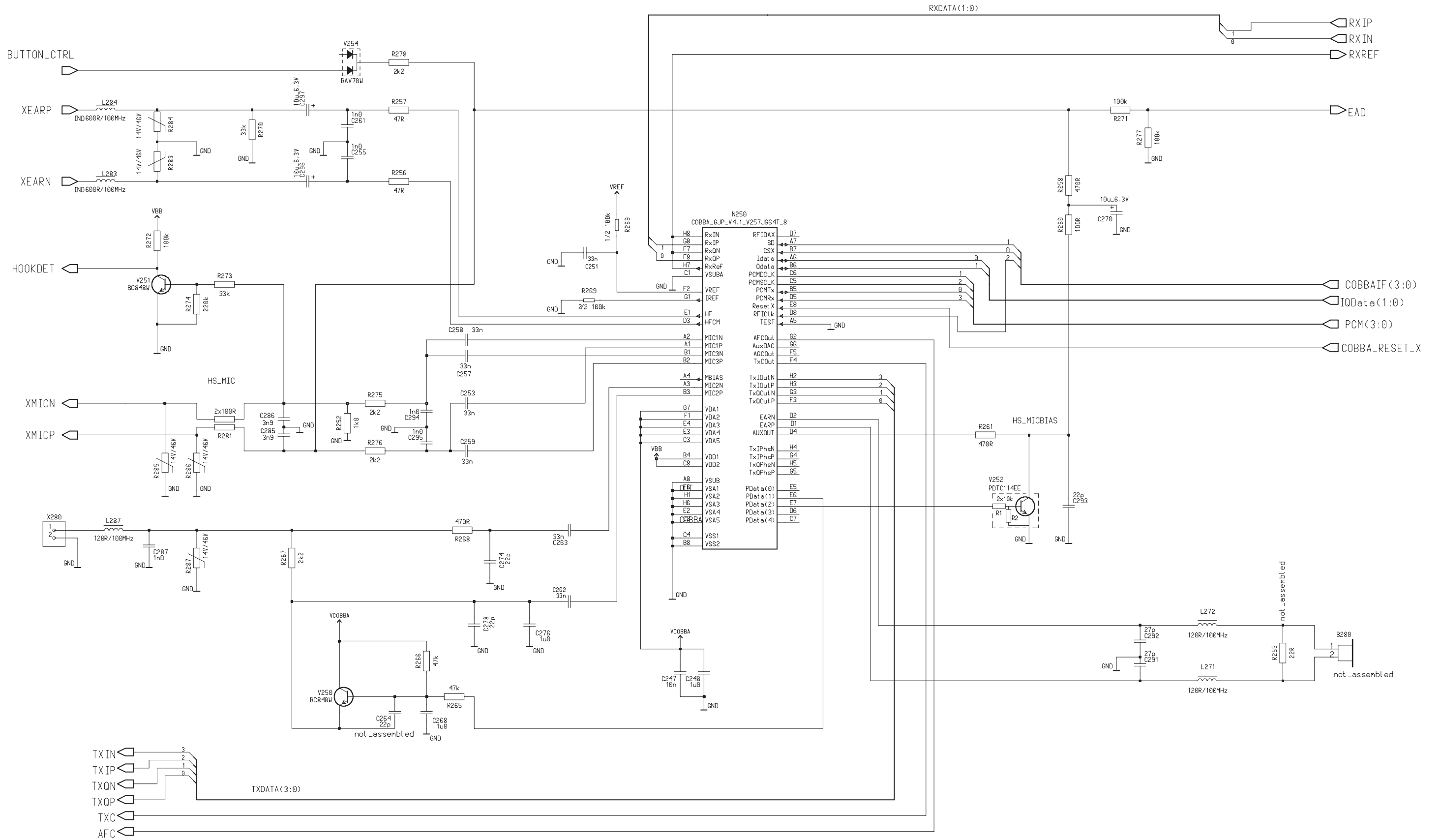
BB Block Connections (Version 4003 Edit 7) for layout version 04



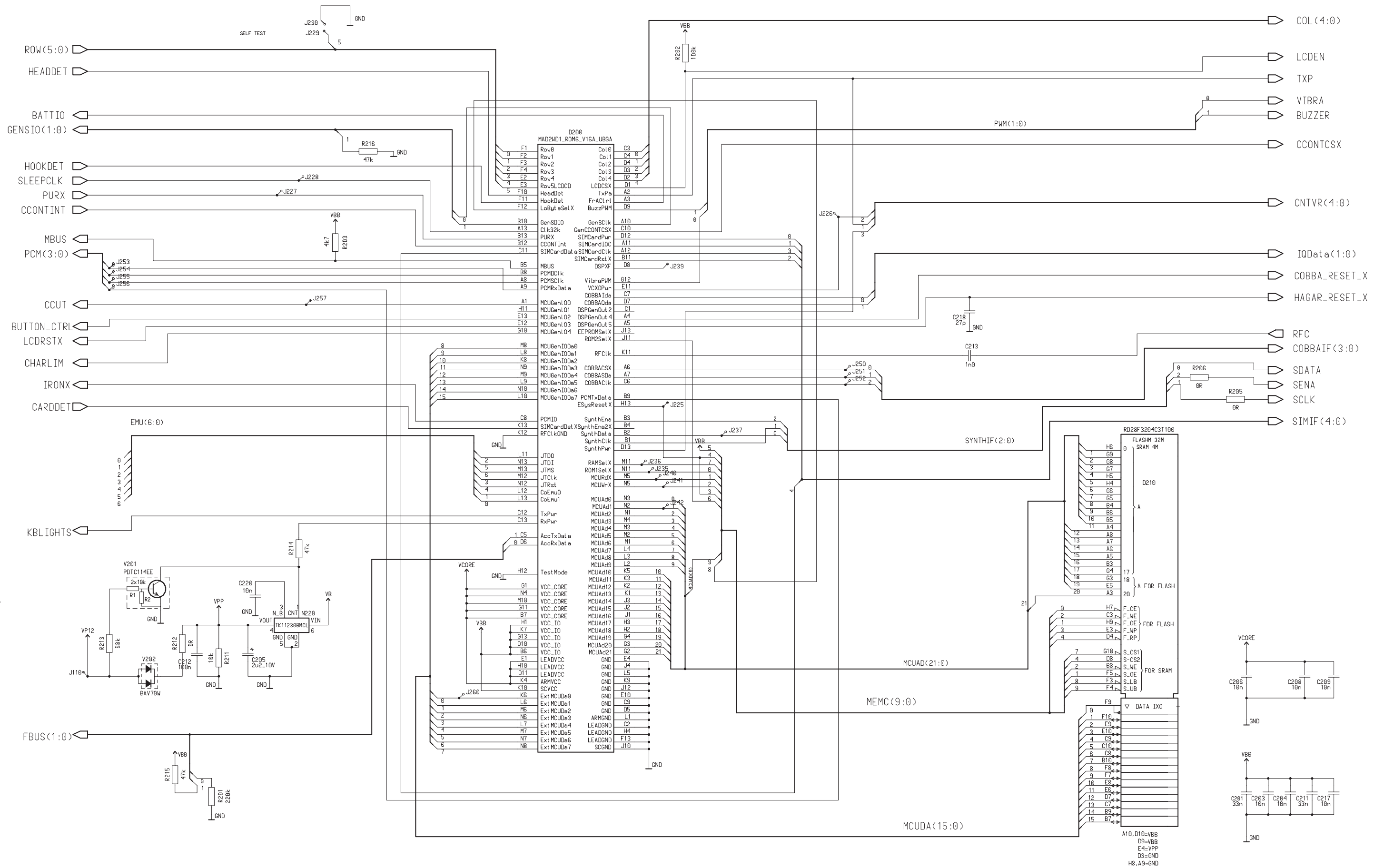
UI (Version 0100 Edit 16) for layout version 04



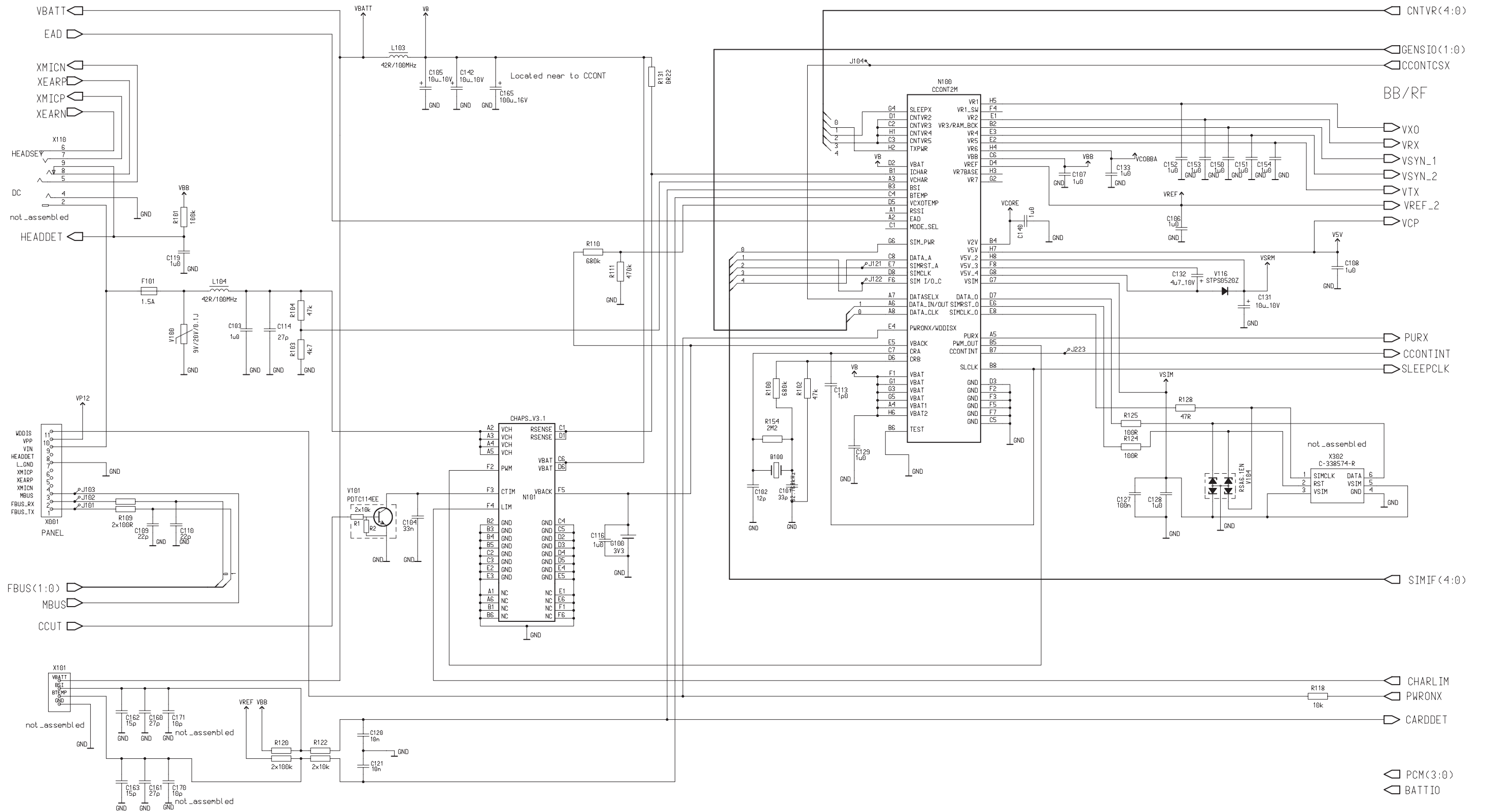
Audio and RFI (Version 0100 Edit 12) for layout version 04

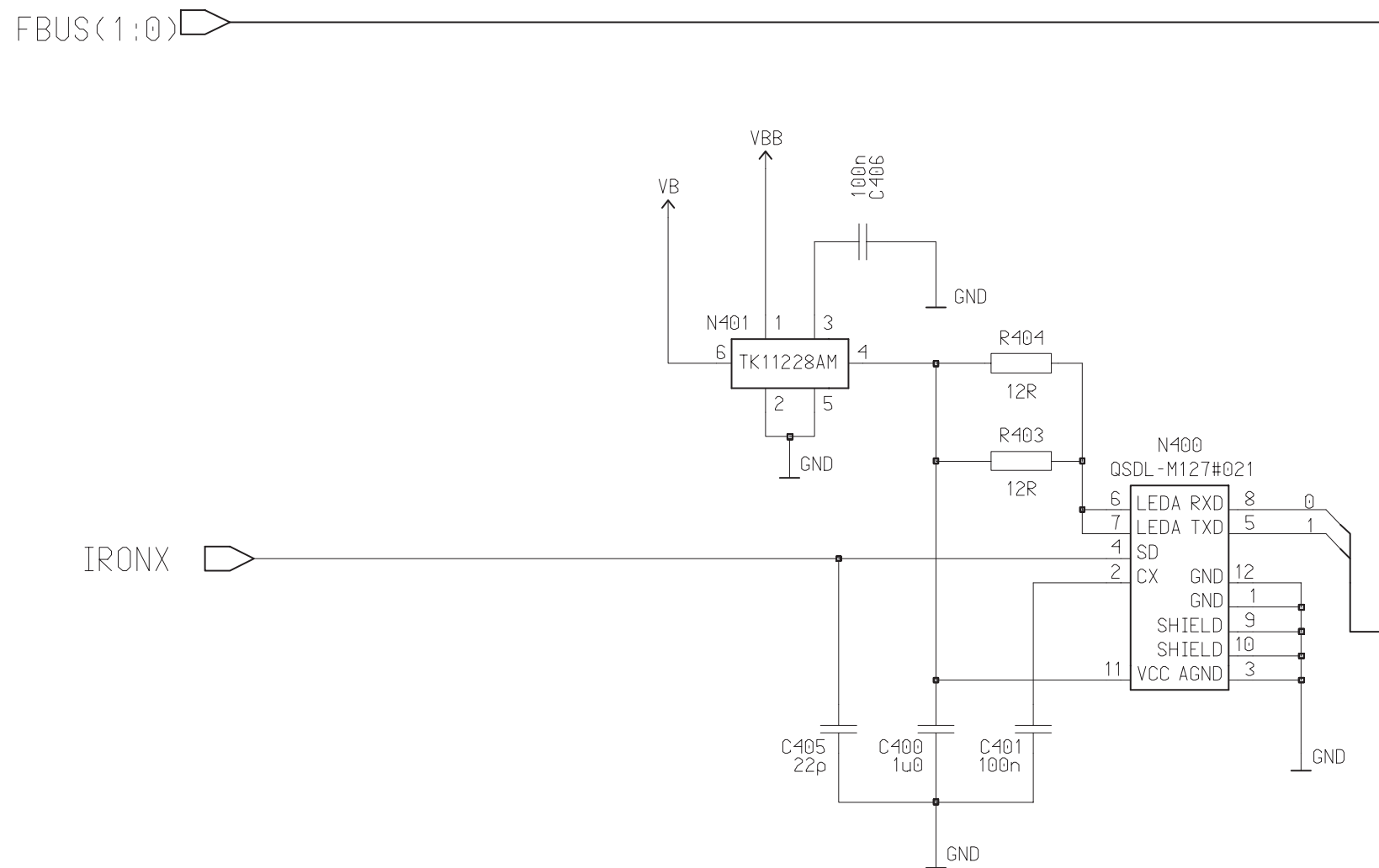


CPU (Version 0100 Edit 23) for layout version 04



Power Supply and Charging (Version 0100 Edit 17) for layout version 04





Layout Diagram of DS7 – Top (Version 04)

